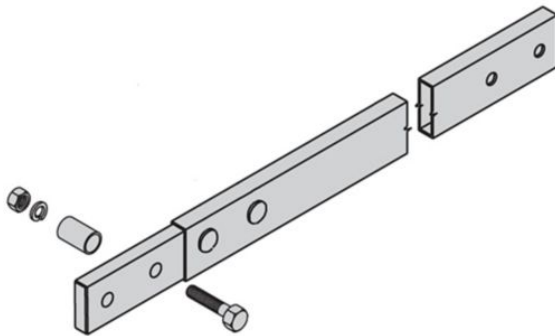


# Eaton SB200103TG

Catalog Number: SB200103TG

Eaton auxiliary support tube, Steel, Includes pre-assembled tube, spacer and hardware included, Used as an auxiliary support, Telco gray powder coat finish, 2" X 9/16" Support tube

## General specifications



**Product Name**  
Eaton auxiliary support tube

**Catalog Number**  
SB200103TG

**UPC**  
799038015079

**Product Length/Depth**  
3 in

**Product Height**  
2 in

**Product Width**  
0.5625 in

**Product Weight**  
4.6 lb

**Certifications**  
Not Applicable

## Product specifications

### Color

Yellow

### Model

2" X 9/16" support tube

### Material

Steel

### Finish

Telco gray powder coat

## Resources

### Catalogs

[auxillary supports](#)

### Specifications and datasheets

[Eaton Specification Sheet - SB200103TG](#)



Eaton Corporation plc  
Eaton House  
30 Pembroke Road  
Dublin 4, Ireland  
Eaton.com  
© 2023 Eaton. All Rights Reserved.

Eaton is a registered trademark.

All other trademarks are property of their respective owners.



[Eaton.com/socialmedia](https://www.eaton.com/socialmedia)